

# KARIBAN

**REFERENCE :** K6118

**SIZES :** XS\_S\_M\_L\_XL\_XXL\_3XL\_4XL

**COMPOSITION :**

Main fabric : Polyester microfiber - 125 100%polyester

Main fabric : Polyester polarfleece - 200 For inside body and collar 100%polyester

Padding : Polyfil 200 For body and collar 100%polyester

**WEIGHT :**

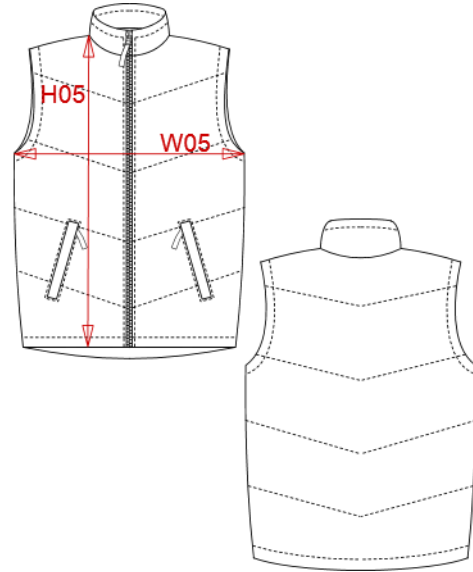
Main fabric : 125 gsm

Main fabric : 200 gsm

Padding : 200 gsm

**ARTICLE WEIGHT :**

635 gr/pc



| DESCRIPTION         |                                |
|---------------------|--------------------------------|
| <b>Français :</b>   | Bodywarmer doublé polaire      |
| <b>English :</b>    | Fleece lined bodywarmer        |
| <b>Nederlands :</b> | Met fleece gevoerde bodywarmer |
| <b>Deutsch :</b>    | Bodywarmer mit Fleecefutter    |
| <b>Español :</b>    | Chaleco con forro polar        |
| <b>Italiano :</b>   | Gilet foderato in pile         |
| <b>Português :</b>  | Colete com forro polar         |

| COLORS           | PANTONE SERIGRAPHIE |
|------------------|---------------------|
| Black            | Black               |
| Navy             | 433C                |
| Red              | 200C                |
| Light royal blue | 653C                |
| Dark grey        | 447C                |
| Mossy green      | 7771C               |

| MEASUREMENT   |       |       |       |       |       |       |       |       |  |
|---|-------|-------|-------|-------|-------|-------|-------|-------|--|
| Description   | XS    | S     | M     | L     | XL    | XXL   | 3XL   | 4XL   |  |
| <b>W05 (M)</b> 1/2 largeur poitrine / 1/2 chest width     | 53    | 56    | 59    | 62    | 65    | 68    | 71    | 74    |  |
| <b>H09 (M)</b> Hauteur totale devant / Front total height | 68,50 | 70,50 | 72,50 | 74,50 | 76,50 | 78,50 | 80,50 | 82,50 |  |

| CARE LABEL |  |  |  |  |
|------------|--|--|--|--|
|            |  |  |  |  |

| PACKING |  |
|---------|--|
| Box     | 10 pcs / box<br>XS-XL => L:60cm W:40cm H:30cm GW:7.20kg NW:6.20kg<br>XXL-4XL => L:60cm W:40cm H:40cm GW:9.00kg NW:8.00kg |